

Installation Instructions

Mercedes-Benz ML350*

Mercedes-Benz ML500*

Mercedes-Benz ML320 CDI*

Mercedes-Benz ML550*

Part Numbers:

75376

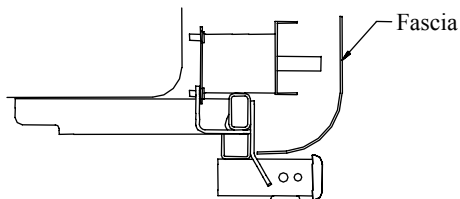
44534

87755

*-Will not fit models equipped with Air Suspension Package

**Do Not Exceed Lower of Towing Vehicle
Manufacturer's Rating or**

| Hitch type | Max Gross Trailer WT (LB) | Max Tongue WT (LB) |
|----------------------------|---------------------------|---------------------|
| Weight Distributing | 4000 (1 816 Kg) | 400 (182 Kg) |
| Weight Carrying Ball Mount | 3500 (1 589 Kg) | 350 (159 Kg) |



Hitch Shown In Proper Position

- Equipment Required:** Sealant
Fastener Kit: 75376F or 87755F
Wrenches: 10mm, 16mm, 3/4
Drill Bits: 1/2"

Wiring Access Location: SUV3, SUV4
Bumper Bracket

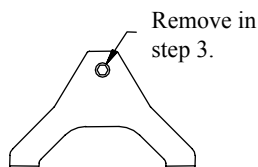
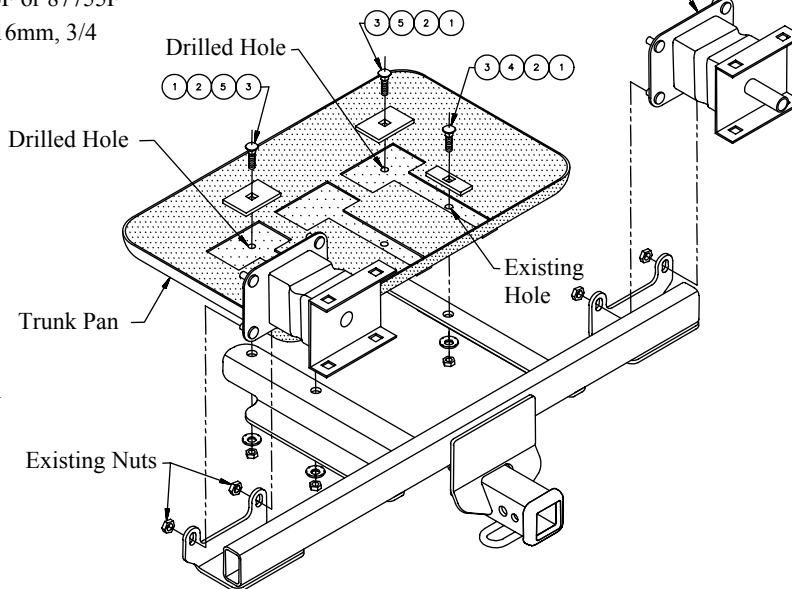


Figure 1.

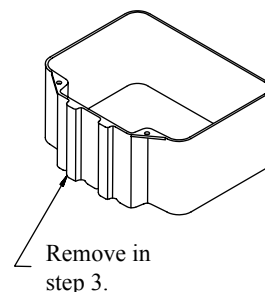


Figure 2.

| | | | | | |
|---|----------|---------------------------------|---|----------|-------------------------|
| ① | Qty. (4) | 1/2 Hex Nut | ④ | Qty. (2) | 1/4 X 1.00 X 3.00 Block |
| ② | Qty. (4) | Conical Toothed Washer | ⑤ | Qty. (2) | 1/4 X 2.00 X 3.00 Block |
| ③ | Qty. (4) | 1/2-13 X 1.75 GR5 Carriage Bolt | | | |

1. Remove the spare tire and the foam spare tire locator from the inside the vehicle.
2. Remove the fascia bolts and plastic fascia rivets from the fascia tabs. Remove the two rubber grommets from the trunk pan.
3. Remove the plastic fascia bracket shown in Figure 1. and the trunk pan cover shown in Figure2. and return to vehicle owner. Note: Trunk pan cover may be trimmed and reinstalled if required.
4. Remove the four (2 per side) lower M10 nuts from the bumper brackets (do not discard).
5. Raise the hitch into position with side brackets installed on the bumper bracket bolts and loosely reinstall the M10 nuts removed in step 4.
6. From the inside of the vehicle install the carriage bolts and 1/4 X 1.00 X 3.00 blocks through the existing holes in the trunk pan and through the hitch. Install the conical toothed washers and hex nuts as shown above.
7. From the underside of the vehicle, using the hitch as a template, drill the two 1/2" holes (1 per side) through the trunk pan.
8. From the inside of the vehicle install the carriage bolts and 1/4 X 2.00 X 3.00 blocks through the existing holes in the trunk pan and through the hitch. Install the conical toothed washers and hex nuts as shown above.
9. Seal the holes in the trunk pan to prevent intrusion of exhaust fumes and water.
10. Place the spare tire carrier and spare tire back inside the vehicle and reinstall the fascia bolts removed in step 2.

Tighten all 1/2-13 GR5 fasteners with torque wrench to 75 Lb.-Ft. (102 N-M)

Tighten all M10 fasteners with torque wrench to 38 Lb.-Ft. (52 N-M)

Note: check hitch frequently, making sure all fasteners and ball are properly tightened. If hitch is removed, plug all holes in trunk pan or other body panels to prevent entry of water and exhaust fumes. A hitch or ball which has been damaged should be removed and replaced. Observe safety precautions when working beneath a vehicle and wear eye protection. Do not cut access or attachment holes with a torch.

This product complies with safety specifications and requirements for connecting devices and towing systems of the state of New York, V.E.S.C. Regulation V-5 and SAE J684.