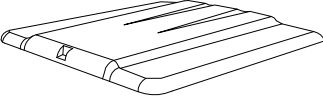
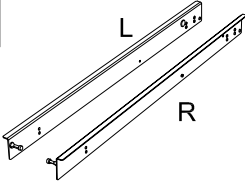
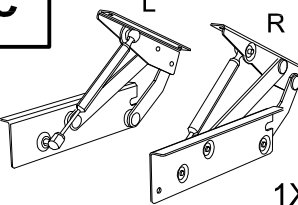
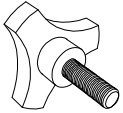
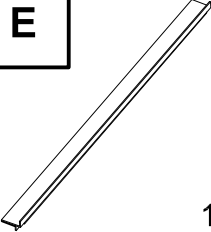
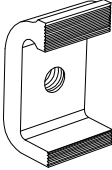
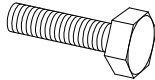
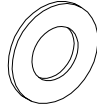
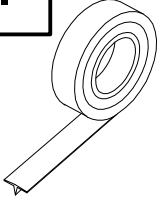

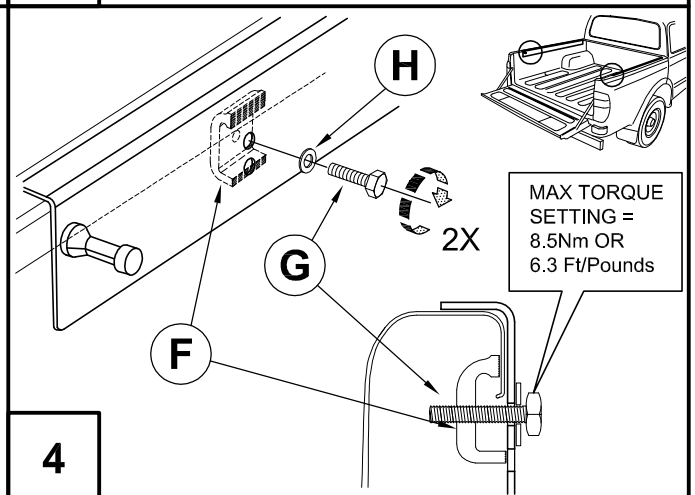
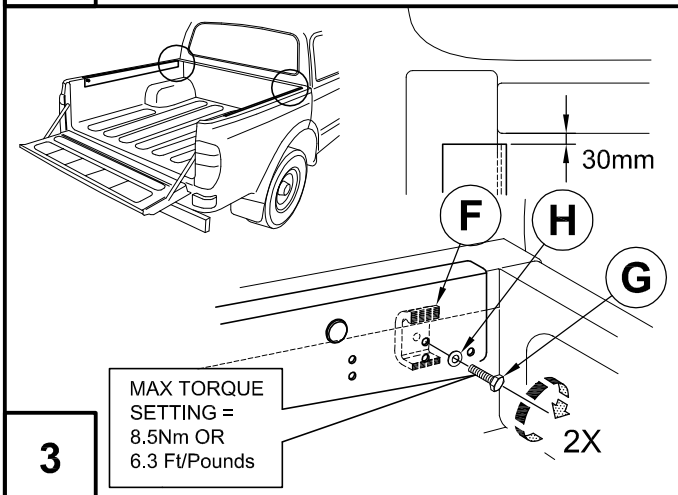
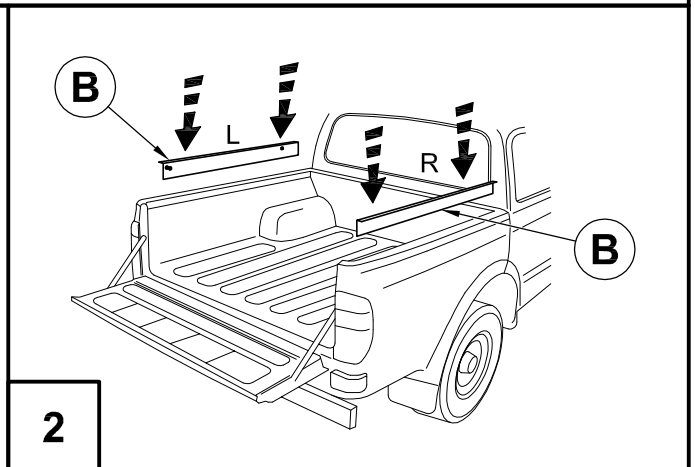
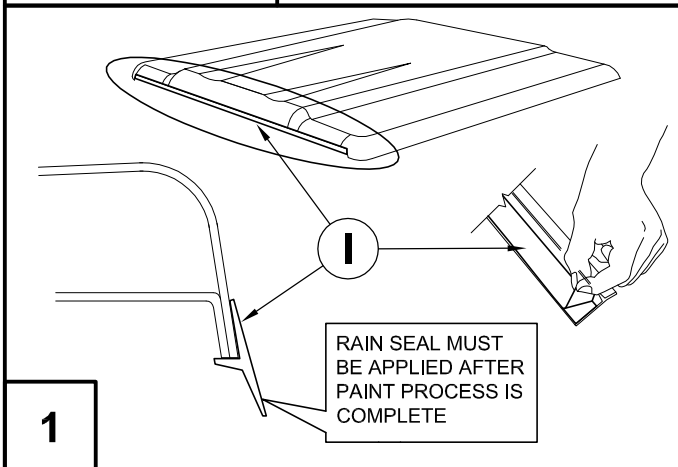


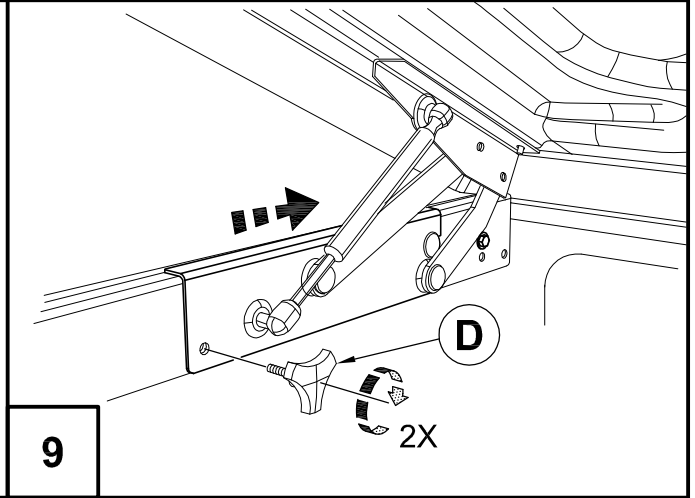
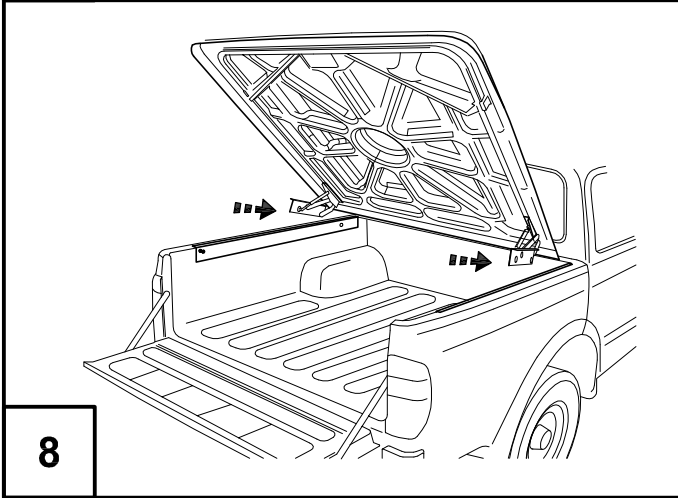
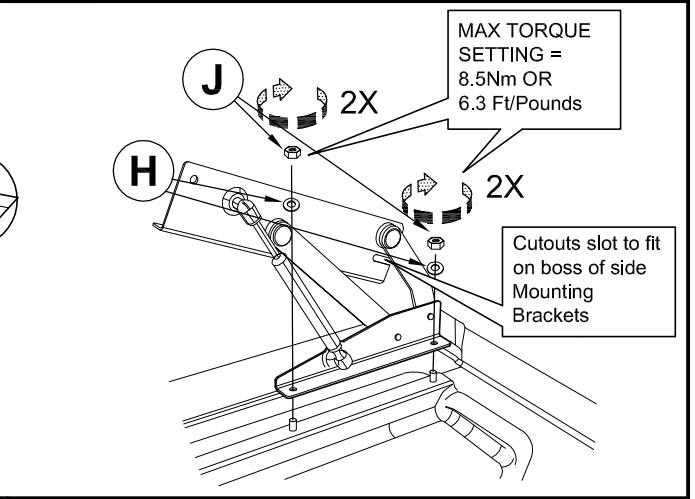
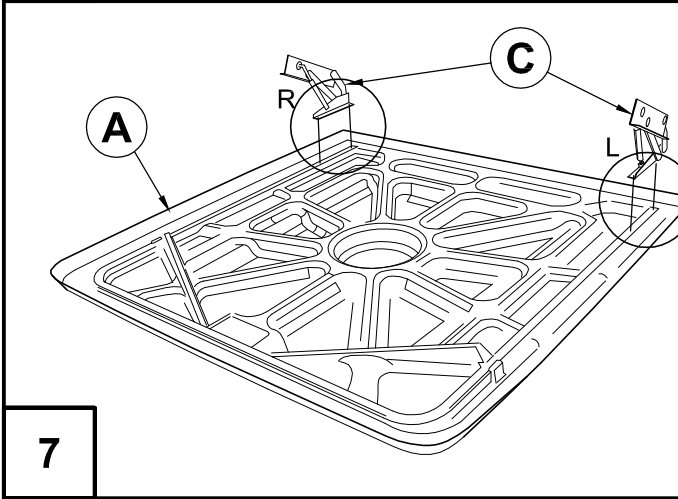
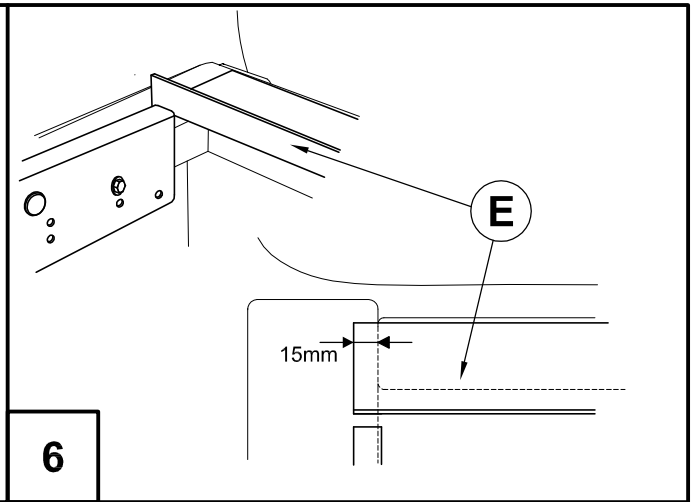
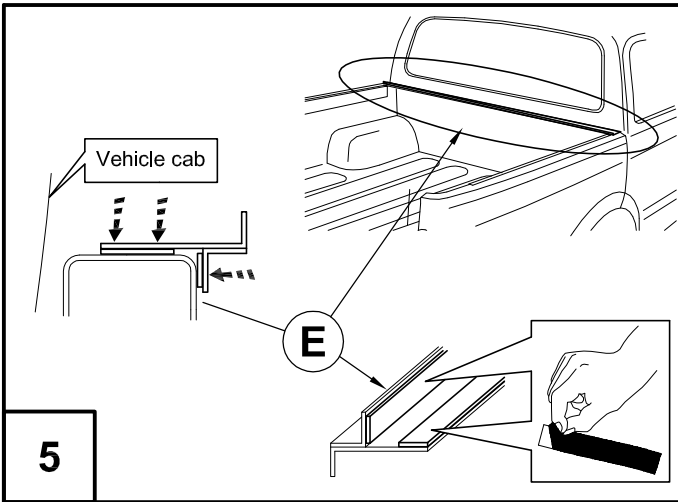


## K122-Volkswagen-Amarok-2010-General Use-DC-SL1

<b>A</b>  1X	<b>B</b>  1X	<b>C</b>  1X	<b>D</b>  2X	
<b>E</b>  1X	<b>F</b>  4X	<b>G</b>  M8x25mm 4X	<b>H</b>  8X	<b>I</b>  1X
<b>J</b>  4X	<b>Sportlid for use with Proform Under Rail liners only</b>			



Fitting Kit Number	Manufacturer	Model Type	Year	Customer	Cab Size	SL1 or SL2	Revision	Date	Page
IDFK122	Volkswagen	Amarok	2010	GENERAL USE	DC	SL1	2	01-02-11	1 of 2



Fitting Kit Number	Manufacturer	Model Type	Year	Customer	Cab Size	SL1 or SL2	Revision	Date	Page
IDFK122	Volkswagen	Amarok	2010	GENERAL USE	DC	SL1	2	01-02-11	2 of 2